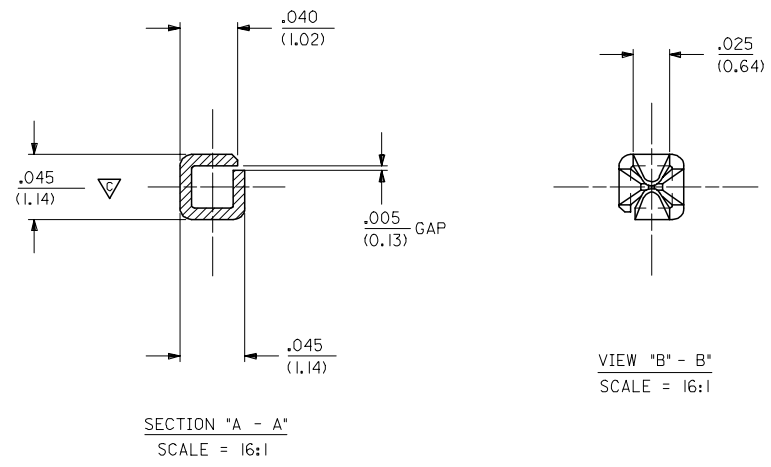


**NOTES:**  
 1- MATERIAL: PHOSPHOR BRONZE ALLOY C52100 PER 80070866  
 2- PLATING: E.S. 88-(\*\*\*)  
 (A) - SELECTIVE GOLD PLATE .000030/(0.00076)MIN., AND SELECTIVE TIN .000100/(0.00254) OVER .000050/(0.00127) NICKEL OVERALL. (228)  
 (B) - .000100/(0.00254) TIN OVER .000050/(0.00127) NICKEL. (154)  
 ▲ -GOLD PLATING AREA.  
 ▲ -TIN PLATING AREA.  
 ▲ -MEASURING POINT FOR PLATING THICKNESS.  
 6 -FOR USE WITH ASSEMBLY NO. A-30490-0001.  
 ▼ 7 -TERMINAL CANNOT BE USED IN 42475 OR 43558 HOUSINGS.

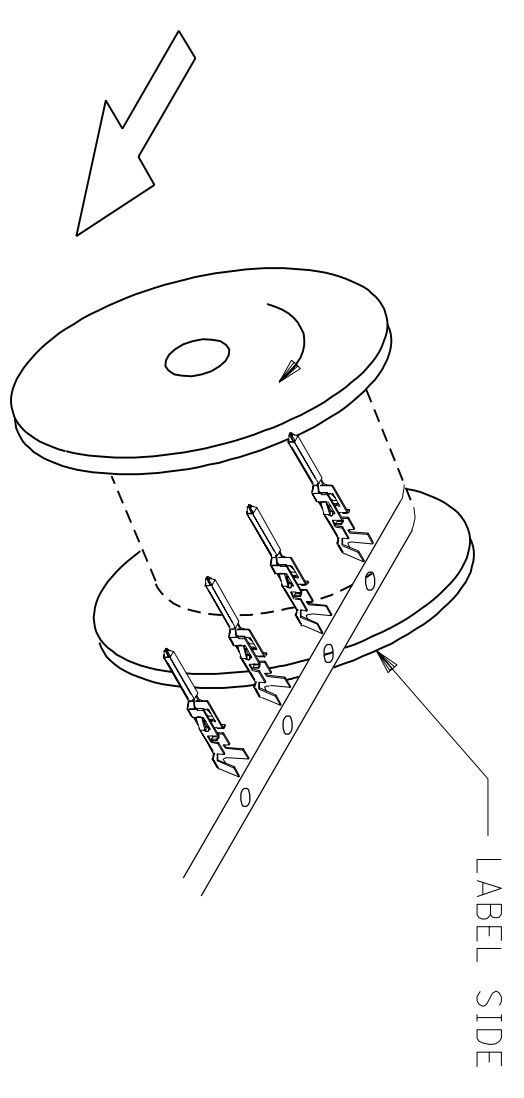


30490-9902	B	CHAIN	RIGHT TO LEFT (SEE SHT. 2)	4000	18-24
30490-9802	A	CHAIN	RIGHT TO LEFT (SEE SHT. 2)	4000	18-24
30490-2012	B	LOOSE	RIGHT TO LEFT (SEE SHT. 2)	4000	18-24
30490-2002	B	CHAIN	LEFT TO RIGHT (SEE SHT. 2)	4000	18-24
30490-1012	A	LOOSE	RIGHT TO LEFT (SEE SHT. 2)	4000	18-24
30490-1002	A	CHAIN	LEFT TO RIGHT (SEE SHT. 2)	4000	18-24
ITEM NO.	PLATING	FORM	UNREEL DIRECTION	QTY. PER REEL	WIRE GAGE REF.
AFTER PLATING					

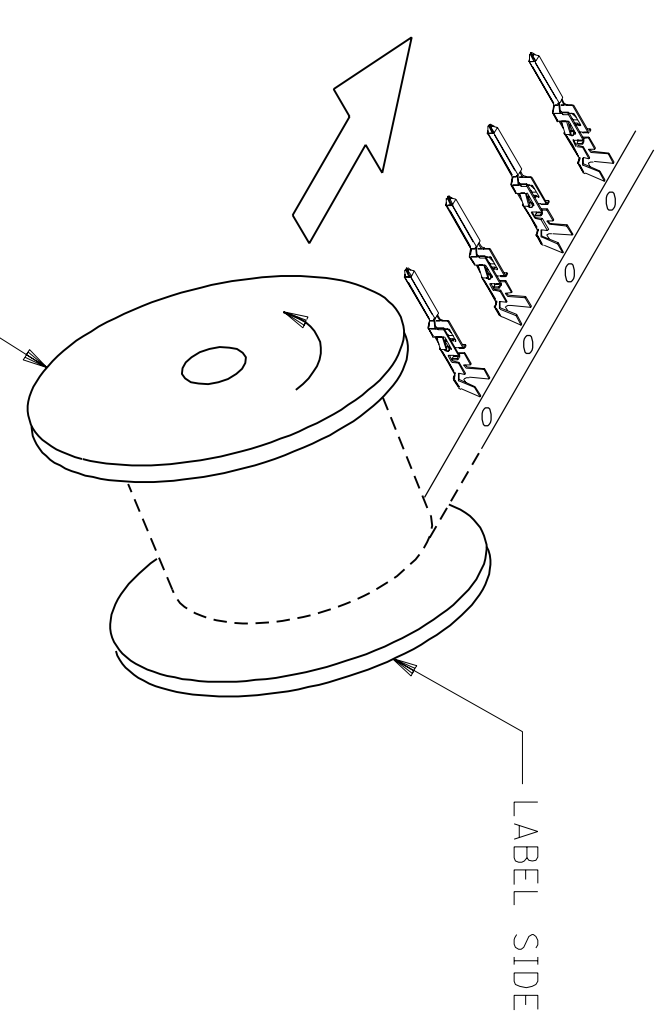
EC NO: UAU2007-0079 DRAWN: JSMITH 2006/08/09 CHKCD: HERFURTH 2006/08/09 APPR: TANGELOTTI 2006/08/09 DESCRIPTION REVISION E1	QUALITY SYMBOLS =1 =0	GENERAL TOLERANCES (UNLESS SPECIFIED) mm INCH 4 PLACES ± .010 ± .010 3 PLACES ± .015 ± .015 2 PLACES ± 0.25 ± .015 1 PLACE ± 0.38 ± .015 ANGULAR ± 5 °	DIMENSION STYLE IN/MM DRAWN BY BBW DATE 92/ 1/22 CHECKED BY DATE APPROVED BY DATE	SCALE 8:1 DESIGN UNITS INCH THIRD ANGLE PROJECTION	TITLE CRIMP TERMINAL MINI-FIT STYLE
	DRAFT WHERE APPLICABLE MUST REMAIN WITHIN DIMENSIONS	MATERIAL NO. SEE CHART SIZE C	DOCUMENT NO. SD-30490-***2 SHEET NO. 1 OF 2	MOLEX INCORPORATED	

13 12 11 10 9 8 7 6 5 4 3 2 1

LEFT TO RIGHT  
UNREELING



RIGHT TO LEFT  
UNREELING



RED FLANGE NO. 70180-0659  
EDP NO. 85-06-0002  
FOR (RED) 3 REEL CARTON  
PART NO. 70180-0479  
EDP NO. 85-01-0479

THIS IS SPECIAL PACKAGING -  
ALL NON-AIRBAG CUSTOMERS  
WILL USE STANDARD PACKAGING

30490

30490

DIMENSIONS SHOWN (METRIC) INCH		UNLESS OTHERWISE SPECIFIED	
TOLERANCES: ANGULAR ± 1/2°			
3 PLACE	± .005	INCH	---
2 PLACE	± .01	METRIC	---
1 PLACE	---		± 0.25

DRAFT WHERE APPLICABLE MUST REMAIN WITHIN DIMENSIONS	
DRWG. BY	BRW
DRWG. APP'D.	SCALE
PART NO.	30490-***2
FILE NAME	SD-30490-***2
LISTENILL	60552
MOLEX INCORPORATED	U.S.A.
SHEET NO.	2
DATE	92 / 1 / 22
DRWG. NO.	SD-30490-***2
THIS DRAWING CONTAINS INFORMATION THAT IS PROPRIETARY TO MOLEX INC. AND SHOULD NOT BE USED WITHOUT WRITTEN PERMISSION	
DRWG. NO.	SD-30490-***2
DATE	92 / 1 / 22
DRWG. NO.	SD-30490-***2
DATE	92 / 1 / 22

DRWG. BY	BRW	SCALE	
DRWG. APP'D.			
PART NO.	30490-***2	FILE NAME	SD-30490-***2
LISTENILL	60552	DRWG. NO.	SD-30490-***2
MOLEX INCORPORATED	U.S.A.	SHEET NO.	2
SHEET NO.	2	DATE	92 / 1 / 22
DRWG. NO.	SD-30490-***2	DATE	92 / 1 / 22
DRWG. NO.	SD-30490-***2	DATE	92 / 1 / 22

J I H G F E D C B A

13 12 11 10 9 8 7 6 5 4 3 2 1 NO P.S.